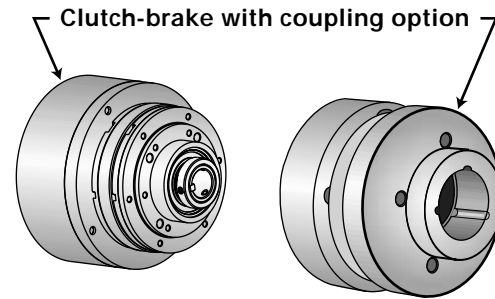


Through-Shaft Clutch-Brakes

BCB-275, FCB-450, LCB-600, MCB-800

THROUGH-SHAFT CLUTCH-BRAKE SERIES

Nexen redesigned the through-shaft clutch-brake series, improving performance and lowering costs. With fewer parts and more torque, this line of clutch-brakes offers single piston engagement to eliminate clutch and brake overlap. The clutch-brake pilot accommodates pulleys, sprocket mounting or coupling attachments. Versatility and ease of use make these products ideal for numerous industrial applications in the packaging, material handling, food processing, automotive, wood products, printing, and converting industries.



A coupling half is used for in-line shaft applications. Before specifying it is important to review the maximum misalignment allowable. For FCB, LCB and MCB models, choose one of the couplings listed below:

COUPLING HALF OPTIONS

Model	Maximum Misalignment mm [in]			Product Number	Max Bore mm [in]	Shipping Weight kg [lb]	Taper Lock Bushing ¹
	Parallel	Angular	Axial				
FCB-450	0.38 [0.015]	1.02 [0.040]	3.18 [0.125]	802700	25.4 [1.000]	1.4 [3]	#1008
LCB-600	0.38 [0.015]	1.63 [0.064]	3.18 [0.125]	804900	28.6 [1.125]	2.7 [6]	#1008
MCB-800	0.38 [0.015]	2.84 [0.112]	3.18 [0.125]	807400	63.5 [2.500]	10.4 [23]	#2517

¹Use Dodge Taper Lock® bushings.

NOTE: Refer to pages 27 and 29 of the Nexen Air Champ® Catalog for coupling dimensions.



FEATURES & BENEFITS

- Single piston design– eliminates possibility of simultaneous clutch and brake engagement
- Small air chamber volumes for high cycle rates and low air consumption
- Torque capabilities to fit up to 10 HP drive motors
- Laboratory proven thermal capacities for fast cycle rates and large load handling capability
- Drive flange accepts components for right angle or in-line drive applications
- Simple design with few parts for easy installation and maintenance
- Involute splines for axial motion
- Low cost
- Easy retrofitting of existing Nexen clutch-brakes; pilot dimensions are identical to the original Nexen clutch-brake series
- Designed for mounting on the driven shaft only; brake stops the hub

SPECIFICATIONS

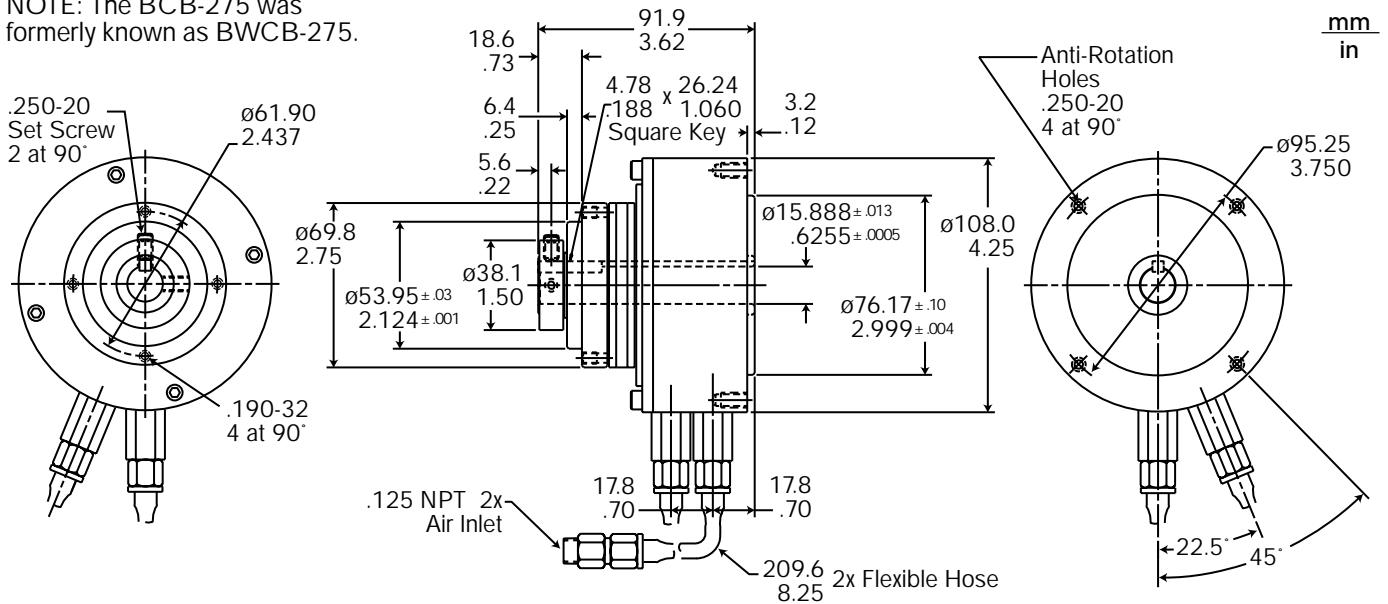
Model	Product Number	Bore ² mm [in]	Clutch Torque ³ Nm [in-lb]	Brake Torque ³ Nm [in-lb]	Thermal Capacity kW [HP _r]	Inertia kg-m ² [in-lb ²]	Speed max rpm	Shipping kg [lbs]
BCB-275	826051	12.7 [0.500]	9 [80]	9 [80]	0.10 [0.13]	0.70 [1.7]	3600	3 [5]
BCB-275	826050	15.9 [0.625]	9 [80]	9 [80]	0.10 [0.13]	0.70 [1.7]	3600	3 [5]
FCB-450	827150	22.2 [0.875]	40 [350]	40 [350]	0.22 [0.30]	0.28 [6.6]	3600	7 [15]
LCB-600	828950	25.4 [1.000]	51 [450]	51 [450]	0.23 [0.31]	0.68 [16.2]	2000	9 [19]
MCB-800	830850	38.1 [1.500]	124 [1100]	124 [1100]	0.45 [0.60]	2.38 [56.4]	1800	17 [30]

² Accepts same bore reduction bushings as F-450, L-600 and M-800 bushings.

³ Torque measured at 80 psi.

BCB-275 Clutch-Brake, Approximate Dimensions

NOTE: The BCB-275 was formerly known as BWCB-275.



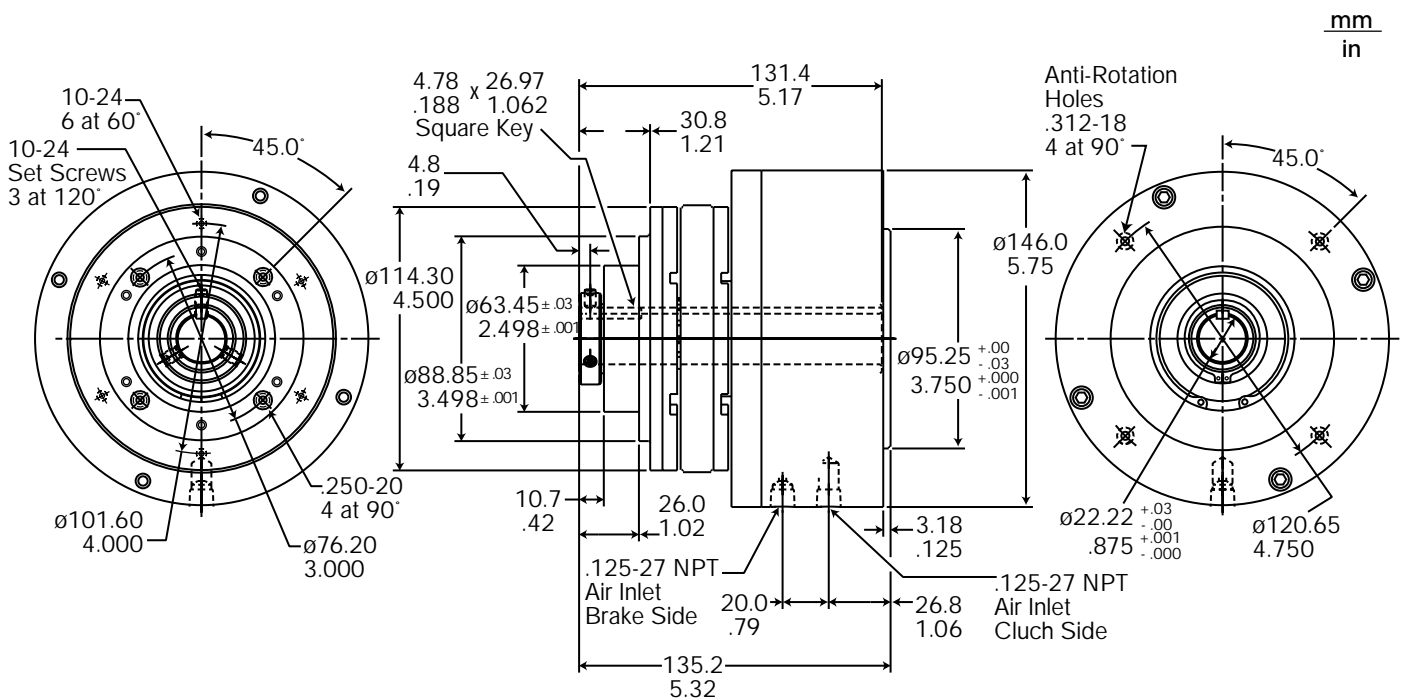
COUPLING HALF OPTIONS

For the BCB-275, choose one of the couplings listed below:

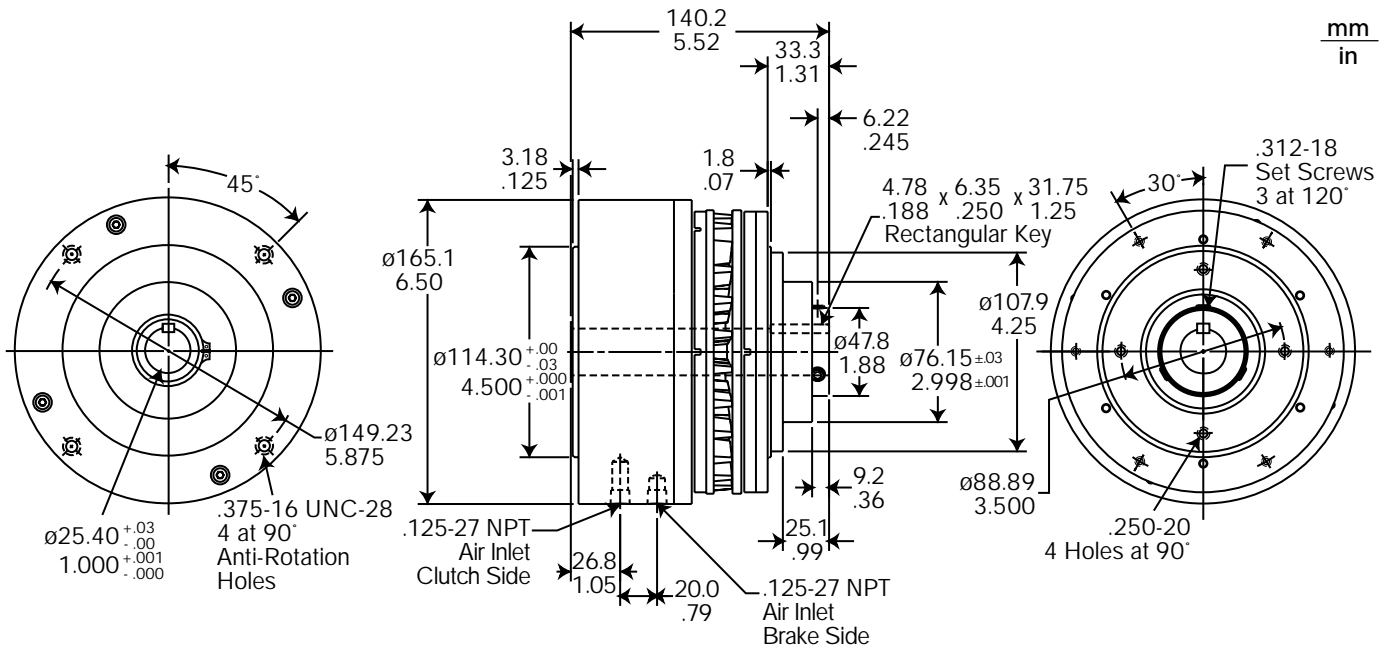
Product Number	Bore mm [in]	Key Size (sq.) mm [in]	Shipping Weight kg [lb]
826030	12.70 [0.500]	3.18 [0.125]	0.5 [1]
826031	15.88 [0.625]	4.78 [0.188]	0.5 [1]
826032	19.05 [0.750]	4.78 [0.188]	0.5 [1]

NOTE: Refer to page 25 of the Air Champ® Catalog for coupling dimensions.

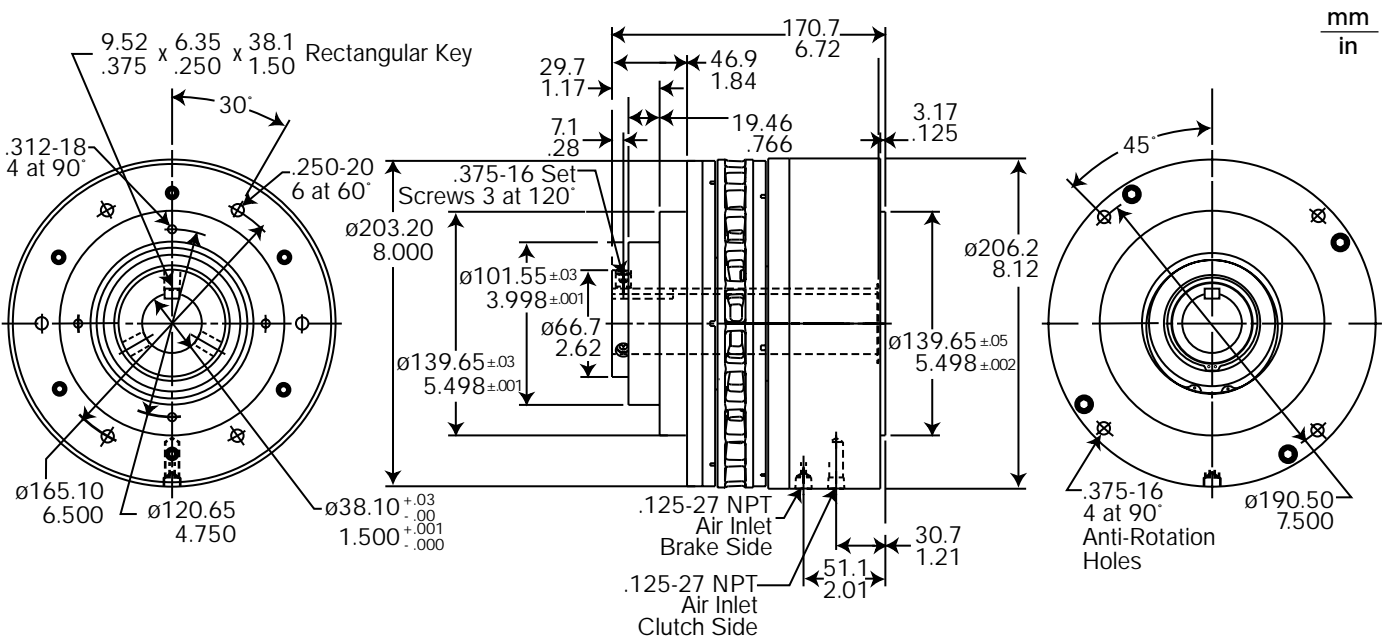
FCB-450 Clutch-Brake, Approximate Dimensions



LCB-600 Clutch-Brake, Approximate Dimensions



MCB-800 Clutch-Brake, Approximate Dimensions



In accordance with Nexen's established policy of constant product improvement, the specifications contained in this document are subject to change without notice. Technical data listed in this document are based on the latest information available at the time of printing and are also subject to change without notice. For current information, please consult www.nexengroup.com.

nexen

Nexen Group, Inc.
560 Oak Grove Parkway
Vadnais Heights, MN 55127

800.843.7445
Fax: 651.286.1099
www.nexengroup.com

ISO 9001 Certified

©2001 Nexen Group, Inc.
21145-A-0602

INDUSTRIAL MAGZA
DIST. AUTORIZADO

MEX (55) 53 63 23 31
QRO (442) 1 95 72 60

MTY (81) 83 54 10 18
ventas@industrialmagza.com